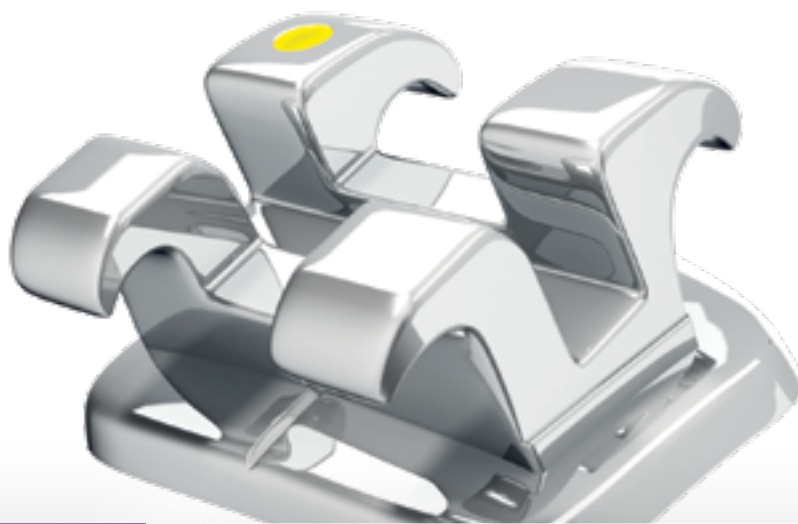




LEGEND™ mini Rhodium features the same characteristics as the standard bracket but with enhanced aesthetics. LEGEND™ mini is manufactured by metal injection (MIM) and its slot undergoes a CNC (Computer Numerical Controlled) process guaranteeing an exact slot size of .018" x .018" or .022" so that the bracket information is precisely expressed. Its anatomical mesh base ensures maximum bracket retention on the tooth.



Design Features

- Made from aerospace strength steel
- Tumbled for a highly polished and better looking bracket
- Rhodium coated for better aesthetic
- Laser-fused hook options designed for malleability and strength
- Anatomically correct bonding pad for each tooth
- In/Outs compatible between medium & mini

LEGEND mini Rhodium

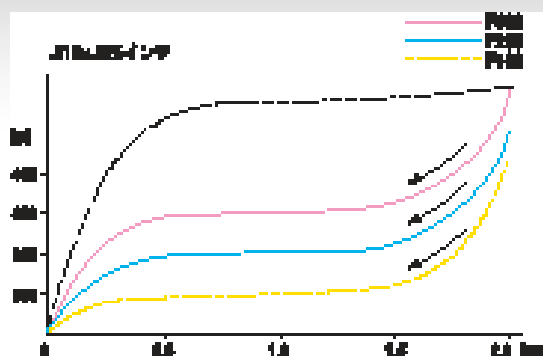
Standard Metal Bracket with Rhodium

Rh Rhodium



With Rhodium

Without Rhodium



Experts in Orthodontics

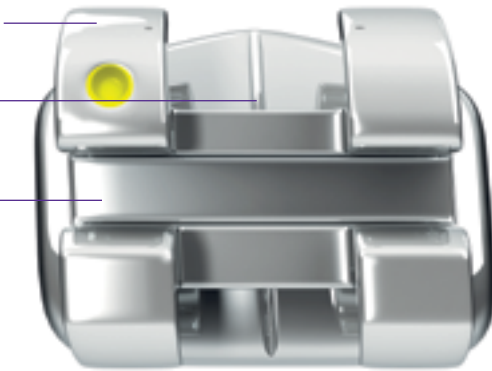
GC Orthodontics America
www.gorthodontics.com

LEGEND mini Rhodium

Rhomboid bracket
for easy bracket placement

Long axis line
for accurate positioning

Aerospace steel



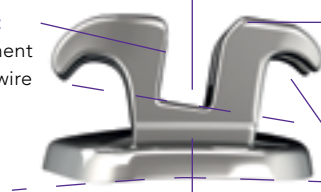
Triple chamfered slot
for easy wire engagement
and to eliminate arch wire
binding & notching

CNC milled slot

Smooth swept tie wings
engineered to minimize
occlusal interference

Large undercuts
for easy ligation

Torque in Base



**Micro-etched, 80 gauge
mesh pad**
for maximum bond
retention

Compound contour pad
for an anatomically
correct fit for each tooth

Bracket combinations

You can combine LEGEND™ Rhodium brackets with Chic Ceramic brackets for a complete aesthetic result.

LEGEND™ is manufactured by TOMY Inc. in Yumoto, Japan. Orthodontists around the world have used and adored TOMY brackets since their first bracket system launched in December of 1961. As of today, TOMY has grown to be one of the most respected bracket manufacturers in the world. LEGEND is available in standard and mini sizes, in metal or with a rhodium coating, in a variety of prescriptions.



Bracket & Wire Combination

Pair LEGEND mini Rh with our Initalloy, BIO-ACTIVE and BIO-EDGE thermal NiTi arch wires for increased patient comfort and treatment efficiency. Rhodium-coated arch wires also available for a completely discrete orthodontic bracket system.



99-38UT-1300 - Rev01-09/2019



GC Orthodontics America
11535 S, Central Avenue · Alsip, IL 60803 · USA
Tel 888-332-4883 · info.gco.usa@gc.dental